

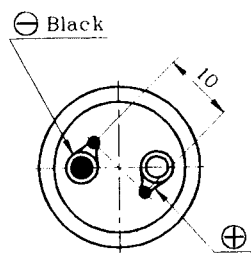
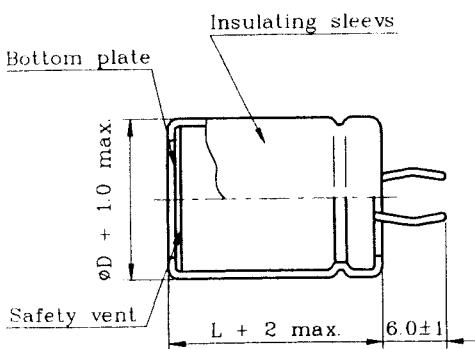
## EHL SERIES

- 105°C 5000 hours assured life.
- Directly mountable on printed circuit board without holders.
- Low ESR and long life.
- Terminal spacing fixed at 10mm for PC board plug in.
- Aluminum case designed explosion-proof vent.

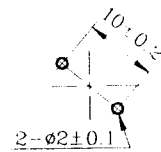
### Characteristics

<b>Voltage Range</b>	10~100V		160~400V					
<b>Capacitance Range</b>	560~47000uF		68~1500uF					
<b>Temperature Range</b>	-40 ~ +105°C		-25 ~ +105°C					
<b>Capacitance Tolerance</b>	+20% -20% (at 20°C, 120Hz)							
<b>Leakage Current</b>	$I=3\sqrt{CV}$ uA max C: Capacitance, V:W.V. (After 5 minutes)							
<b>Dissipation Factor (tan δ)</b>	Rated voltage	10	16	25	35	50	63~100	160~400
	tan δ	0.55	0.40	0.30	0.25	0.20	0.15	0.15
at 20°C, 120Hz								
<b>Stability at Low Temperature</b>	Impedance ration at 120Hz between the -25°C or -40°C value and 20°C value shall not exceed the values given below.							
	Rated Voltage (V)	10~16	25	35	50,63	80~100	160~350	
	Z-25°C/Z 20°C	4	3	3	2	2	4	
	Z-40°C/Z 20°C	15	10	8	6	5	-	
<b>Load Life</b>	The following specifications shall satisfied when the capacitors are restored to 20°C after rated working voltage applied for 5,000 hours at max. Operating temperature with the rated ripple current applied.							
	Capacitance change	≤ ±25% of the initial value.						
	Dissipation factor	≤ ±250% of the initial specified value						
	Leakage current	≤ The initial specified value.						
<b>Shelf Life</b>	After storage for 1000 hours at 105°C with no voltage applied, the capacitor shall meet the specified limit in load life.							

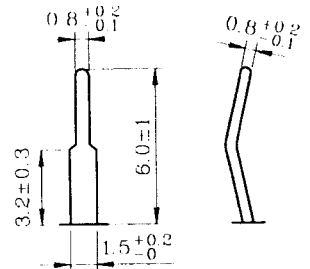
### Diagram of dimensions



#### PC Board Mounting Holes



#### Terminal



## EHL SERIES

### Standard Products Table

W.V(DC)	CAP. (μF)	Ripple Current A max. 105°C, 120Hz	Dimensions A		Dimensions B		Dimensions C	
			D φ	L	D φ	L	D φ	L
10	6800	1.30	22	25	-	-	-	-
	10000	1.60	22	30	25	25	-	-
	15000	2.10	22	35	25	30	-	-
	22000	2.75	22	40	25	35	30	30
	33000	3.40	25	50	30	40	35	35
	47000	4.60	30	50	-	-	-	-
16	4700	1.30	22	25	-	-	-	-
	6800	1.60	22	30	25	25	-	-
	10000	2.10	22	40	25	30	-	-
	15000	2.70	22	50	25	40	30	30
	22000	3.40	25	50	30	40	35	35
	33000	4.32	30	50	35	40	-	-
25	3300	1.10	22	25	-	-	-	-
	4700	1.50	22	30	25	25	-	-
	6800	1.87	22	40	25	30	-	-
	10000	2.35	22	50	25	40	30	35
	15000	3.15	30	40	35	35	-	-
	22000	3.90	35	45	-	-	-	-
35	2200	1.10	22	25	-	-	-	-
	3300	1.40	22	30	25	25	-	-
	4700	1.75	22	40	25	30	-	-
	6800	2.20	22	50	25	40	30	35
	10000	2.80	30	40	35	35	-	-
	15000	4.25	35	50	-	-	-	-
50	2200	1.30	22	35	25	25	-	-
	3300	1.70	22	40	25	35	30	30
	4700	2.10	25	40	30	35	-	-
	6800	2.70	30	50	35	40	-	-
	10000	3.50	35	50	-	-	-	-
63	1000	1.00	22	25	-	-	-	-
	1500	1.30	22	35	25	30	-	-
	2200	1.65	25	35	30	30	-	-
	3300	2.15	25	50	30	35	-	-
	4700	2.70	30	50	35	40	-	-
	6800	3.50	35	50	-	-	-	-
80	680	0.95	22	25	-	-	-	-
	1000	1.20	22	35	25	25	-	-
	1500	1.60	22	45	25	35	-	-
	2200	2.05	25	50	30	35	-	-
	3300	2.70	30	50	35	40	-	-
	4700	3.40	35	50	-	-	-	-

## EHL SERIES

### Standard Products Table

W.V(DC)	CAP. (μF)	Ripple Current A max. 105°C, 120Hz	Dimensions A		Dimensions B		Dimensions C	
			D φ	L	D φ	L	D φ	L
100	680	1.10	22	35	25	30	-	-
	1000	1.40	22	50	30	30	-	-
	1500	1.85	25	50	30	40	-	-
	2200	2.40	35	50	30	40	-	-
160	220	0.50	22	25	-	-	-	-
	330	0.80	22	35	25	25	-	-
	470	1.10	22	45	25	35	30	30
	680	1.30	25	45	30	35	-	-
	1000	1.69	30	45	35	35	-	-
	1500	2.40	35	50	-	-	-	-
200	220	0.65	22	30	-	-	-	-
	330	0.78	22	40	25	30	-	-
	470	1.15	22	50	25	40	30	30
	680	1.45	25	50	30	40	-	-
	1000	1.90	30	50	35	40	-	-
250	150	0.52	22	25	-	-	-	-
	220	0.75	22	35	25	30	-	-
	330	1.00	22	45	25	35	30	30
	470	1.20	25	50	30	35	-	-
	680	1.55	30	50	35	40	-	-
	1000	2.00	35	50	-	-	-	-
350	68	0.34	22	25	-	-	-	-
	100	0.50	22	35	25	25	-	-
	150	0.63	22	45	25	35	30	30
	220	0.82	25	50	30	35	-	-
	330	1.10	30	50	35	40	-	-
	470	1.30	35	50	-	-	-	-
400	47	0.30	22	25	-	-	-	-
	68	0.40	22	30	25	25	-	-
	100	0.50	22	40	25	30	-	-
	150	0.65	22	50	25	40	30	35
	220	0.85	25	50	30	40	35	35
	330	1.10	35	45	-	-	-	-
	390	1.20	35	50	-	-	-	-